

Instruction manual

Temperature probe and transducers for Pt1000 with (4-20) mA output

*Air temperature probes
P0102, P0120, P0122 and P0132*

*Temperature transducers Pt1000
P41x1*

© Copyright: COMET SYSTEM, s.r.o.

This User's Guide may not be copied, and its contents may not be changed in any way without explicit consent of COMET SYSTEM, s.r.o.
All rights reserved.

The COMET SYSTEM, s.r.o. company is continuously developing and improving its product. COMET SYSTEM, s.r.o. reserves the right to carry out technical changes in equipment or product without any previous notice.

Contact address of this device's producer:

COMET SYSTEM, s.r.o.
Bezrucova 2901
756 61 Roznov pod Radhostem
Czech Republic
www.cometsystem.com

Instruction manual of temperature probes P0102, P0120, P0122, P0132 and transducers P41x1

Probe P0120 is designed for measurement of air temperature, transducers P0102, P0122 and P0132 for temperature measurement in stainless steel well (well is not included). Transducers P4121 to P4171 (next only P41x1) without own temperature sensors are designed for signal conversion from RTD sensor Pt1000 (3850 ppm / °C) to current. All aforesaid devices have linear current output (4-20) mA for two wire connection.

Technical parameters:

Type	Range [°C]	Current output [mA]	Accuracy [°C]	Formula for Calculation of temperature [°C, mA]	Formula for calculation of current [mA, °C]
P0102	-30 to +60	4 to 20	±0.4	$T = 5.625 * I - 52.5$	$I = (T + 52.5) / 5.625$
P0120	-30 to +80	4 to 20	±0.4	$T = 6.875 * I - 57.5$	$I = (T + 57.5) / 6.875$
P0122	-30 to +80	4 to 20	±0.4	$T = 6.875 * I - 57.5$	$I = (T + 57.5) / 6.875$
P0132	0 to +150	4 to 20	±0.4°C ⁽¹⁾	$T = 9.375 * I - 37.5$	$I = (T + 37.5) / 9.375$
P4141	-100 to +30	4 to 20	±0.3	$T = 8.125 * I - 132.5$	$I = (T + 132.5) / 8.125$
P4121	-30 to +80	4 to 20	±0.3	$T = 6.875 * I - 57.5$	$I = (T + 57.5) / 6.875$
P4151	0 to +35	4 to 20	±0.2	$T = 2.1875 * I - 8.75$	$I = (T + 8.75) / 2.1875$
P4131	0 to +150	4 to 20	±0.3	$T = 9.375 * I - 37.5$	$I = (T + 37.5) / 9.375$
P4161	0 to +250	4 to 20	±0.4	$T = 15.625 * I - 62.5$	$I = (T + 62.5) / 15.625$
P4171	0 to +400	4 to 20	±0.7	$T = 25 * I - 100$	$I = (T + 100) / 25$
P4191	-50 to +50	4 to 20	±0.3	$T = 6.25 * I - 75$	$I = (T + 75) / 6.25$

(1) for temperature up to 100 °C. For temperature over 100 °C is accuracy of measurement ±0.4 % from reading

The accuracy of P0120 is determined for temperature at the end of the stem with airflow less than 0.5 m/s.

The accuracy of transducer P41x1 is an input accuracy in respect of table value of sensor Pt1000/3850 ppm.

Current output in the case of error:

P41x1: more than 24 mA in the case of disconnected probe

P41x1: less than 3.5 mA in the case of shorted probe

Power:

Power of device is allowed from 9 V to 30 V DC (typically 24 V), maximum ripple 0.5 %

Response time:

P0120: $t_{63} < 2$ min, $t_{90} < 4$ min (temperature step from +25 °C to +80 °C, airflow c.1 m/s)

P01x2: $t_{63} < 45$ s at temperature step (0..100) °C, stem with well immersed to fluid, flow velocity 1 m/s

P41x1: depends on connected temperature probe.

Operating temperature and humidity range:

Temperature of case -30 to 80 °C with humidity from 0 to 100 %RH without condensation

Operational position:

P0120: installation on the wall with the stem towards down

For devices P41x1, P01x2 in well there is no limitation in working position

Outer characteristics in accordance with Czech National Standard 33-2000-3:

Normal environment with the specifications: AM1, BE1, CB1

Not allowed manipulations:

It is not allowed to operate the device under other than specified conditions in technical parameters. Devices are not designed for locations where mechanical vibrations can appear and for locations with chemically aggressive environment.

Recalibration: Interval of metrological verification depends on concrete application. Recommended period is about 1 year.

Protection of electronic: IP65 (tighten glands, tighten case lid with inserted packing of lid)

Storing conditions: Temperature from -30 to +80 °C, humidity from 0 to 100 %RH without condensation

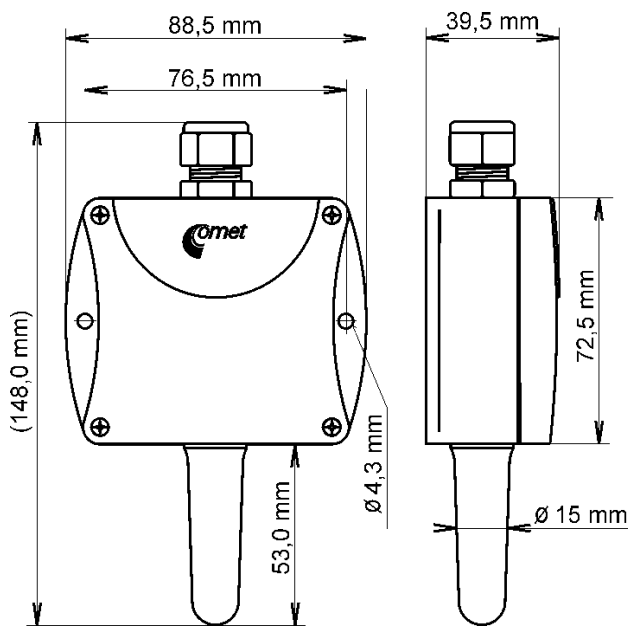
Material of the case: ASA

Dimensions: see dimension drawing

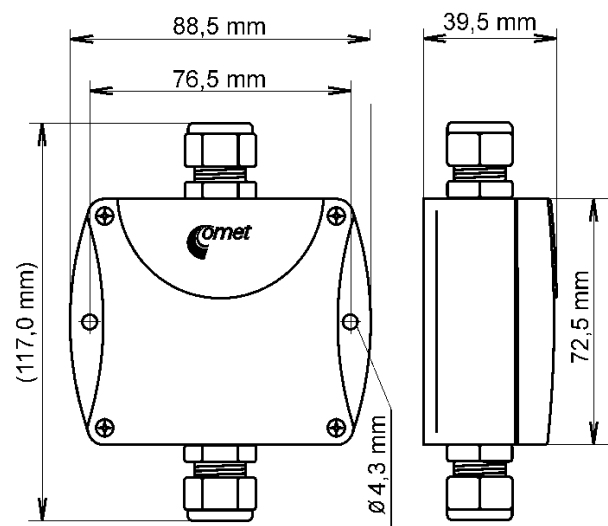
Weight: P0120 approx. 120 g, P01x2 approx. 140 g, P41x1 approx. 125 g

Liquidation: Device itself (after its life) is necessary to liquidate ecologically according to currently valid conditions!

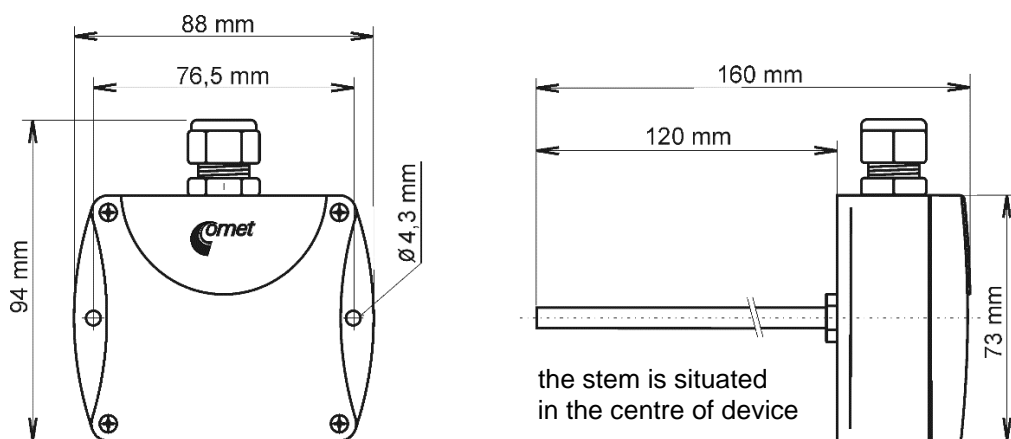
Temperature probe P0120



Temperature transducers P41x1



Temperature probe P0102, P0122 and P0132



Installation:

Described devices are supplied from external power source by a cable. The cable is used for transmission of measurement temperature to sensing device too. It is recommended to use shielding copper cable (e.g. SYKFY) and the shielding connect to ground terminal of sensing side. Outside diameter of the cable must be from 4 to 8 mm, maximal cross-section area 2.5 mm² and maximal length 1200m. The cable must be located at indoor rooms (probe is not protected for outdoor use).

The cable should not be led in parallel along power cabling. Safety distance is up to 0.5 m otherwise undesirable induction of interference signals can appear.

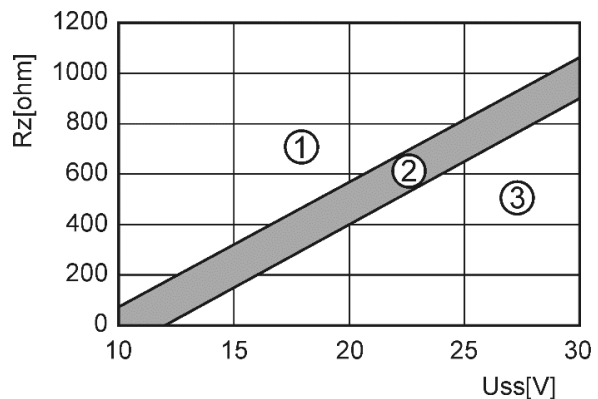
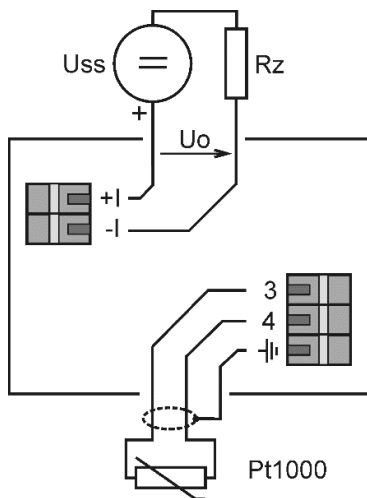
For connection of the cable is necessary to unscrew four screws at case corners and remove lid. Lace the cable through a gland at the case wall. Connect the cable to terminals with respecting the signal polarity (see figure). Terminals are self-clamping and can be opened by a suitable screwdriver. For the opening, insert the screwdriver to upper terminal hole and lever by him.

Transducers P41x1 in itself not measure a temperature. The temperature is measured an external two-wired probe Pt1000/3850ppm with shielding. Connection of the probe is similar to connection of power cable. Lace the probe cable through a second gland at the opposite site of the case. Connect the probe cable to three terminals (see figure). **Attention**, a shielding of probe cable must not be connected to anything else! Therefore it is suitable to secure probe cable towards mechanical damage. Restriction of the cable location is the same as the restriction of power cable location. That means the probe cable should not be located near to power of electronic jamming. Maximal length of probe cable is 10m.

Do not remember to tighten glands and case lid with inserted packing after cables connecting. It is necessary for warranting of protection IP65.

Typical application circuitry, wiring of the terminals:

Range of power voltage U_0 at input terminals of device can be from 9 V to 30 V. Whence it follows that absorbed power for current 20 mA can be from 0.18 W to 0.6 W. The power made heating of the device. It is recommended to have it as small as possible. Small power voltage U_0 can be ensured by optimum selection of voltage U_{SS} and resistor R_Z . If the voltage and resistor are fixed, it is possible to insert proper serial resistor R to the current loop at the sensing device side. Selection of the resistor R_Z or R can be made by graph. Device is able to work in zone no.2 and 3. The zone no.2 is optimal. Device is not able to operate in zone no.3. There are not ensured minimal power voltage of device $U_0 = 9V$ for current 20 mA.



Electromagnetic compatibility (EMC tests):

Devices are conformed EN 61326-1 in the range:

- Radiation: EN 55022 class B
- Immunity: EN 61000-4-2 levels 4/8 kV, class A
- EN 61000-4-3 intensity of electromagnetic field 3 V/m, class A
- EN 61000-4-4 levels 1/0.5 kV, class A
- EN 61000-4-6 intensity of electromagnetic field 3 V/m, class A

Technical support and service:

Distributor of the devices provides a technical support and service. Contact to distributor is given at a warranty certificate.