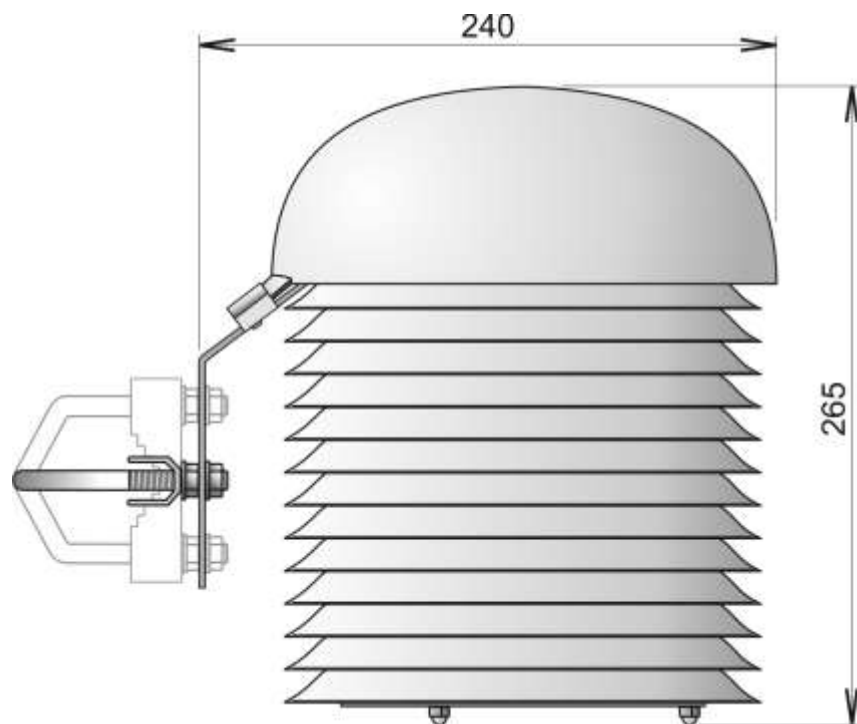


PRODUCT DESCRIPTION

The fan aspirated shield F8900 is used to protect the COMET air temperature, relative humidity and pressure sensors from thermal radiation and climatic influences. The optimized design of the shield and active ventilation by the built-in fan significantly reduce the measurement error caused by thermal radiation. Mounting flange under the top cover allows easy mounting of the devices including the fixing of the cables.

DIMENSIONS

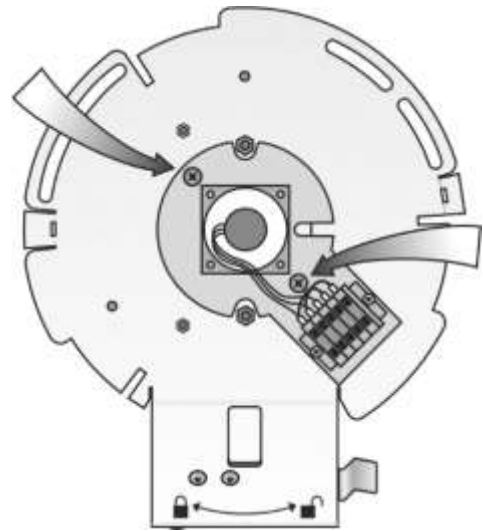
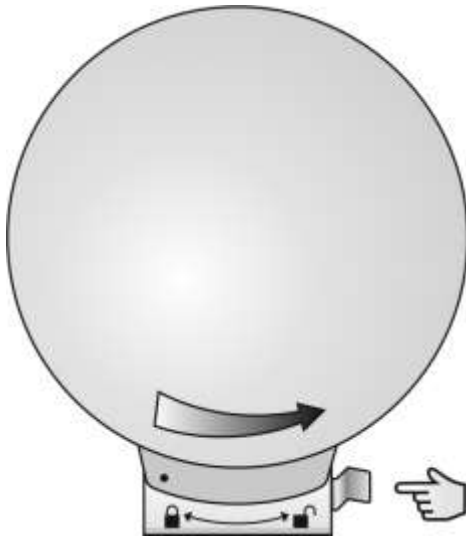


RADIATION SHIELD INSTALLATION

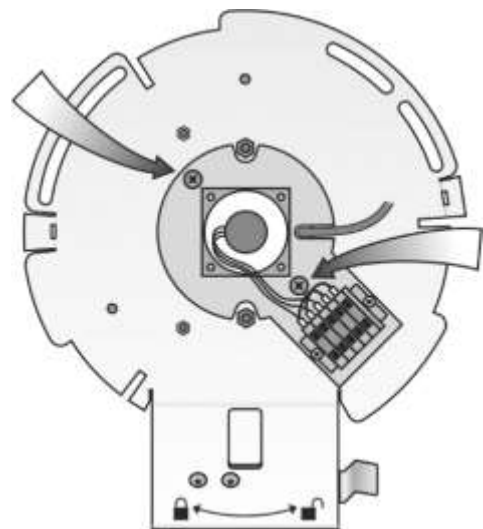
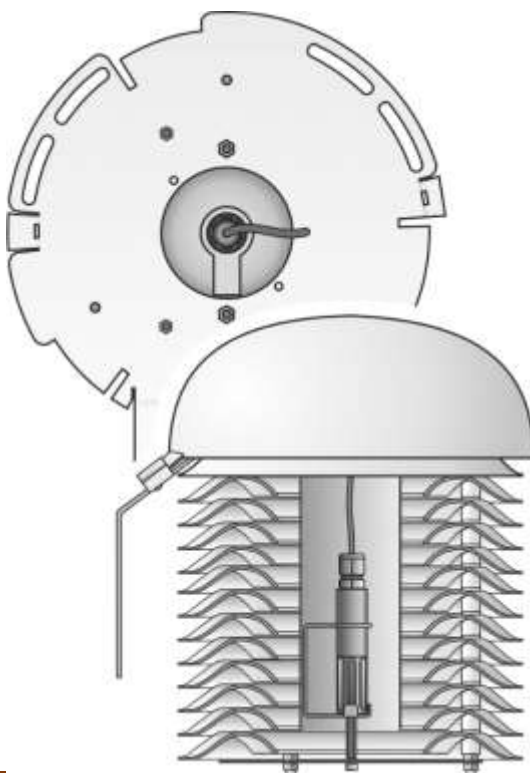
Place the radiation shield to a mast with diameter from 20 mm to 45 mm (i.e. satellite holder). It is recommended to place the radiation shield at least 50 cm from the nearest wall of the building and at least 1.8 meters above the ground. For professional measurements the grassy places are recommended, with no obstacles within a radius of 10 m (lawn should be continuously maintained).

TRANSMITTERS AND MEASURING PROBES INSTALLATION

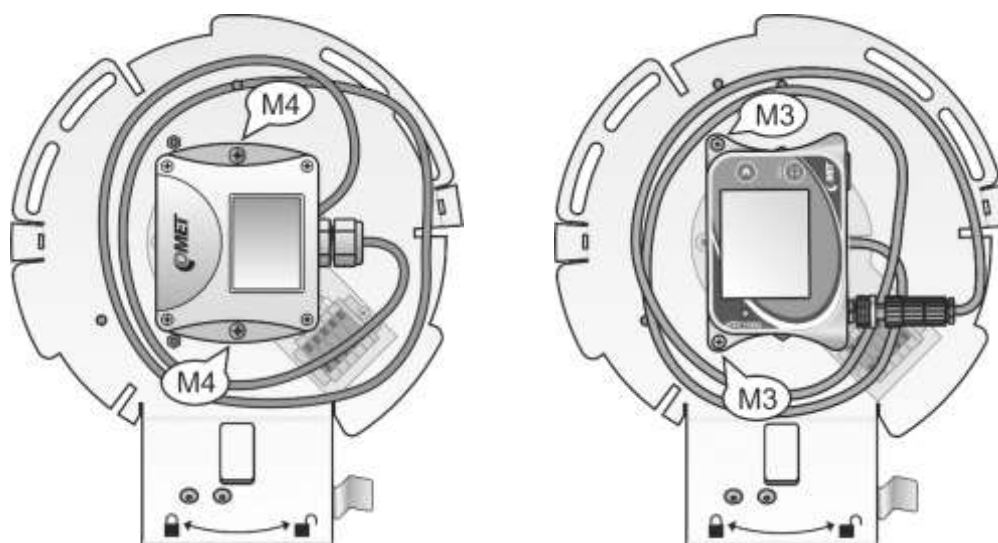
- Remove the top cover of the shield (press the metal locking plate, turn the cover counterclockwise and slide it up).
- Loosen screws holding the fan module and remove the module



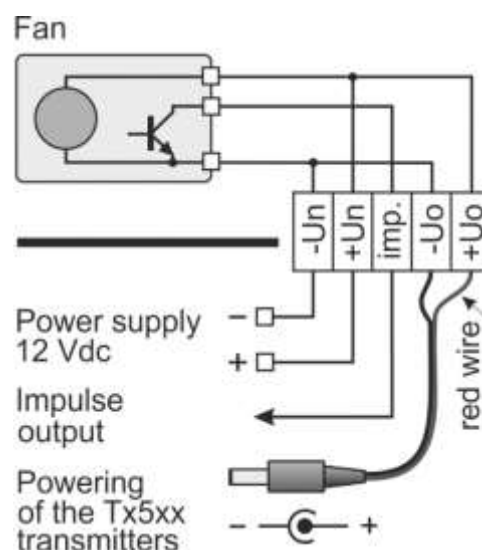
- Insert the probe into the probe holder
- Put the fan module back in place and fix it with the screws.



- Fasten the measuring device to the spacers using the supplied screws

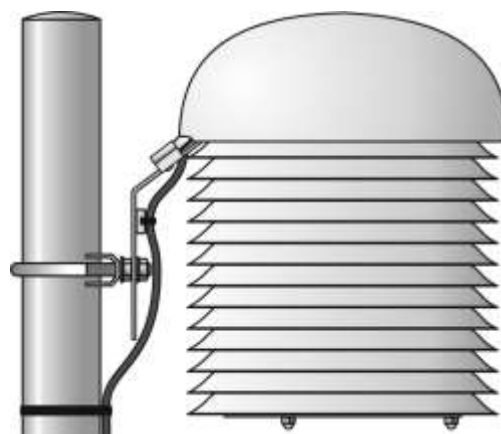


- Connect the device cables and pass them through a square hole in the mounting plate
- Use the speed impulse output to monitor the correct function of the fan (the pulse frequency corresponds to the rotor speed).
- Connect the fan power supply cable
- Use cable ties to secure all cables
- Replace the top cover of the shield and turn it clockwise to complete the installation



MOUNTING THE RADIATION SHIELD TO THE MAST

Fasten the U-bolt clamp to the mast and after that fix the radiation shield using the two enclosed M8 nuts. Secure the output and power cables with the enclosed cable ties (see figure).



TECHNICAL SPECIFICATION

Supply voltage:	12 Vdc
Power consumption of fan:	0.6 W
Pulse output:	2 pulse / rev. *)
Temperature operating range:	-40 to +80 °C
Relative humidity operating range:	0 to 100 %RH
Storage temperature range:	-40 to +80 °C
Storage relative humidity range:	0 to 100 %RH (no condensation)
Weight:	approximately 1.6 kg
Material:	ASA - UV stabilized, antistatic

*) *max. current of output is < 5 mA, the pulse output is not protected against short circuits*

CONTENT OF THE PACKAGE:

- the F8900 shield 1 pc
- the U-bolt bracket 1 pc
- the screw M4x8 2 pcs
- the screw M3 x 14 2 pcs
- the cable tie 6 pcs
- the nut M8 with washer 2 pcs

END OF OPERATION

Dispose the radiation shield according to current legislation for dealing with electronic equipment.

WARNING

Installation, commissioning and maintenance may only be carried out by personnel with qualification by applicable regulations and standards.

© Copyright: COMET SYSTEM, s.r.o.

It is prohibited to copy and make any changes in this manual, without explicit agreement of company COMET SYSTEM, Ltd. All rights reserved.

COMET SYSTEM, Ltd. makes constant development and improvement of their products. Manufacturer reserves the right to make technical changes to the device without previous notice. Misprints reserved.